

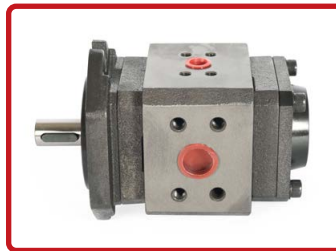
Internal Gear Pump



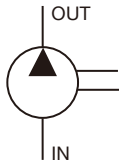
Internal Gear Pump

SIPH2	04
SIPH3	07

SIPH2



SYMBOLS



ORDER CODES

SIPH2 - **017** **R** **A** **0** **0**

1
2
3
4
5
6

1	▶ Model Name	SIPH2	
2	▶ Rated Size	011, 014, 017, 020, 024, 028	
3	▶ Rotation Direction <i>(Side View of Self Aligning Bearing)</i>	R	clockwise direction
		L	counter clockwise direction
4	▶ Shaft Type	A	straight keyed shaft
		B	SAE splined shaft end *
5	▶ Flange Mounting Type	0	SAE/A 2-bolt flange, centring collar Ø82,55
6	▶ Intake and Outlet Connection <i>(with Metric Threads)</i>	0	suction port closed; common inlet

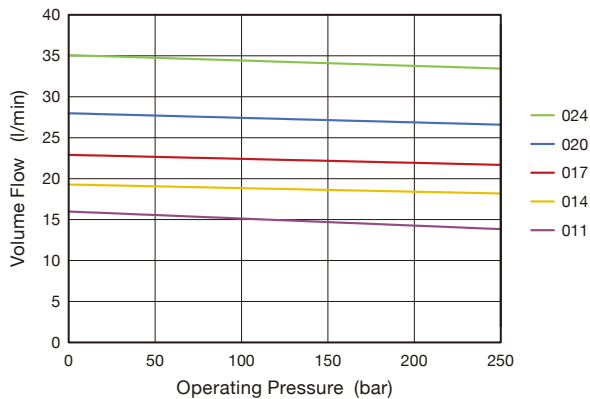
* SAE splined shaft only : 011, 014, 017

MODEL SPEC.

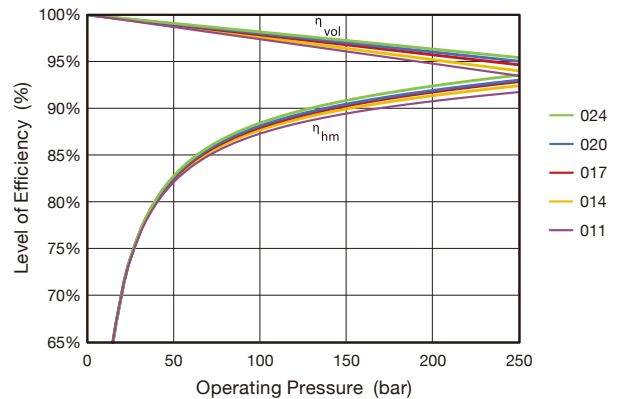
Rated Size	011	014	017	020	024	028
Displacement (cm ³ /rev)	11	14	17	20	24	28
Operating Pressure (bar)	250					
Peak Operating Pressure (bar)	300					
Nominal Speed (r.p.m.)	200 ~ 2500					
Operating Temperature (°C)	-20 ~ 80					
Operating Medium	HLP 32 46 68					
Admission Pressure (bar)	max. 2 bar ~ min. 0.8 bar absolute					
Efficiency Vol	90min., r.p.m.=1450, ΔP=210bar, T=50°C, HLP46					
Pump Noise (dB)	68max., r.p.m.=1450, ΔP=210bar, T=50°C, HLP46					
Weight (kg)	6.5	7	7.5	8	8.5	9
Degree of Firtation	class 20 / 18 / 15 due to ISO 4406					

PERFORMANCE CURVES

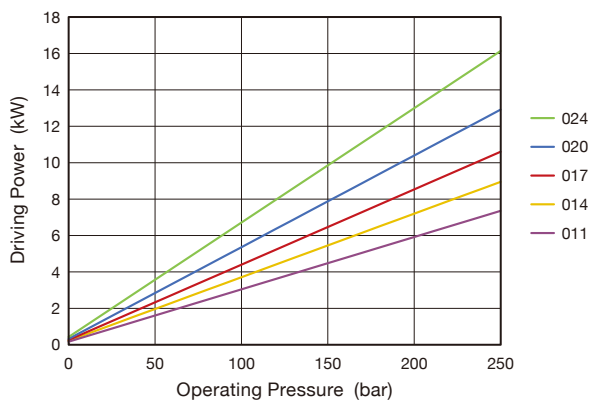
► Volume Flow



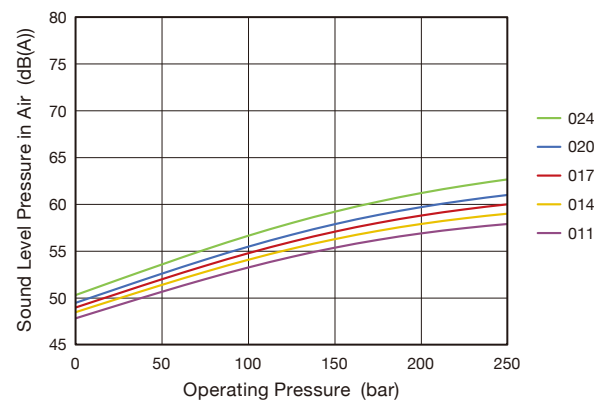
► Level of Efficiency



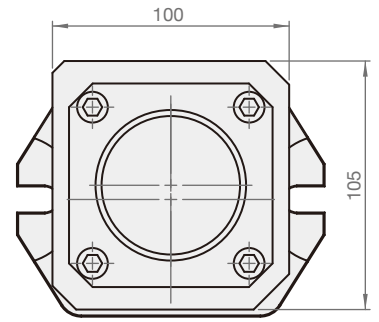
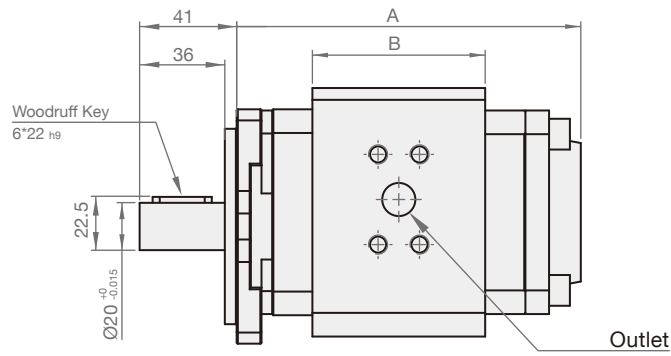
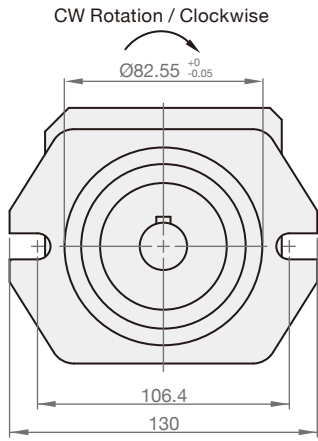
► Driving Power



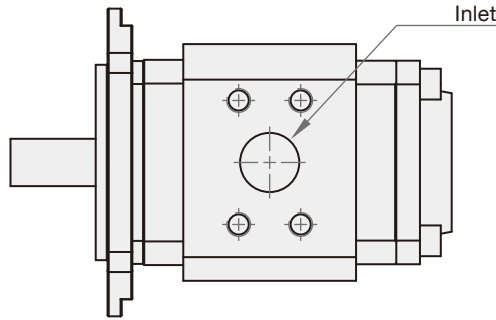
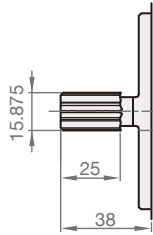
► Sound Level Pressure in Air



* Measurement conditions: Speed 1450 min⁻¹, viscosity 46mm²/s, operating temperature 40°C
 Measured in silent room in accordance with DIN 45 635 sheet 26, microphone distance: 1m axial



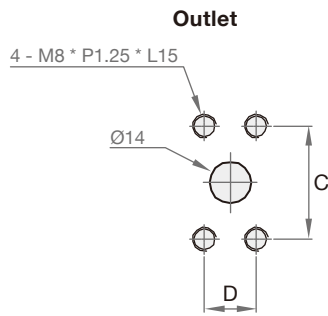
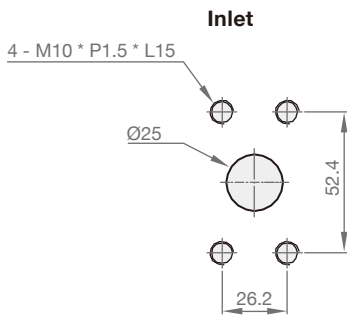
Module	D.P. 16/32
Pressure Angle	30°
No. of Teeth	9
Pitch DIA.	Ø14.2875
Major DIA.	Ø15.875 (+0/-0.05)
Minor DIA.	Ø11.811



Model	A	B
SIPH2-011	125	47
SIPH2-014	130	53
SIPH2-017	136	59
SIPH2-020	142	65
SIPH2-024	150	73
SIPH2-028	156	80

ADDITIONAL DIMENSION

► Inlet and Outlet Size

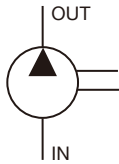


Model	Outlet	
	C	D
SIPH2-011	38.1	17.5
SIPH2-014	38.1	17.5
SIPH2-017	38.1	17.5
SIPH2-020	38.1	17.5
SIPH2-024	38.1	17.5
SIPH2-028	47.5	22

SIPH3



SYMBOLS



ORDER CODES

SIPH3 - **040** **R** **A** **0** **0**

1
2
3
4
5
6

1	▶ Model Name	SIPH3	
2	▶ Rated Size	032, 040, 050	
3	▶ Rotation Direction <i>(Side View of Self Aligning Bearing)</i>	R	clockwise direction
		L	counter clockwise direction
4	▶ Shaft Type	A	straight keyed shaft
		B	SAE splined shaft end *
5	▶ Flange Mounting Type	0	SAE/A 2-bolt flange, centring collar Ø 82,55
6	▶ Intake and Outlet Connection <i>(with Metric Threads)</i>	0	suction port closed; common inlet

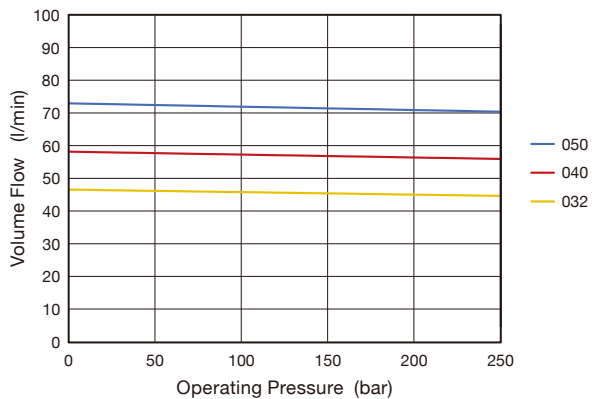
* SAE splined shaft only : 040

MODEL SPEC.

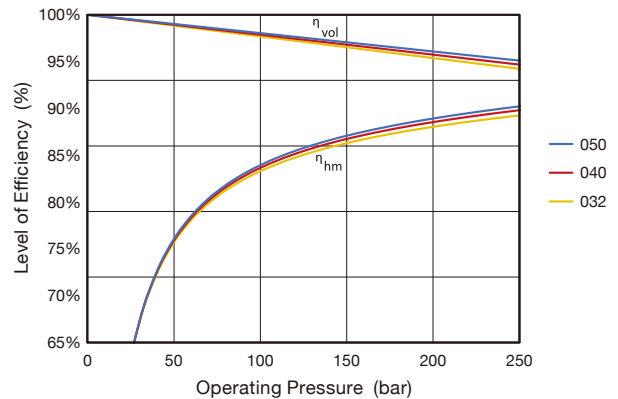
Rated Size	032	040	050
Displacement (cm ³ /rev)	32	40	50
Operating Pressure (bar)	250		
Peak Operating Pressure (bar)	300		
Nominal Speed (r.p.m.)	200 ~ 2500		
Operating Temperature (°C)	-20 ~ 80		
Operating Medium	HLP 32 46 68		
Admission Pressure (bar)	max. 2 bar ~ min. 0.8 bar absolute		
Efficiency Vol	90min., r.p.m.=1450, ΔP=210bar, T=50°C, HLP46		
Pump Noise (dB)	68max., r.p.m.=1450, ΔP=210bar, T=50°C, HLP46		
Weight (kg)	12	13	14
Degree of Firtation	class 20 / 18 / 15 due to ISO 4406		

PERFORMANCE CURVES

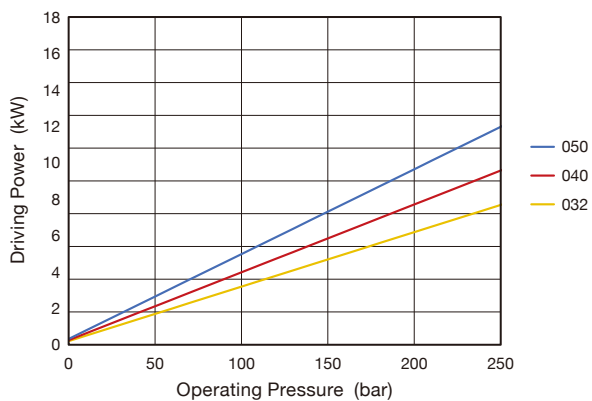
► Volume Flow



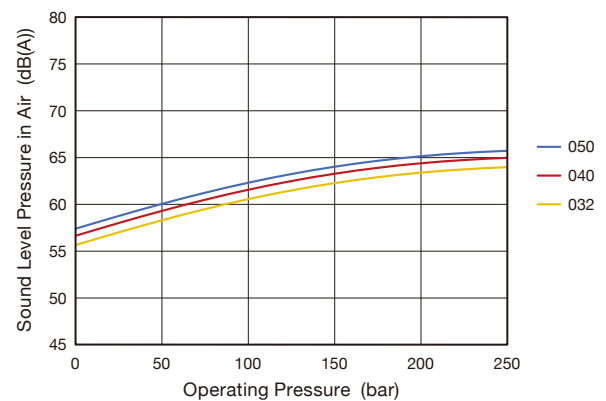
► Level of Efficiency



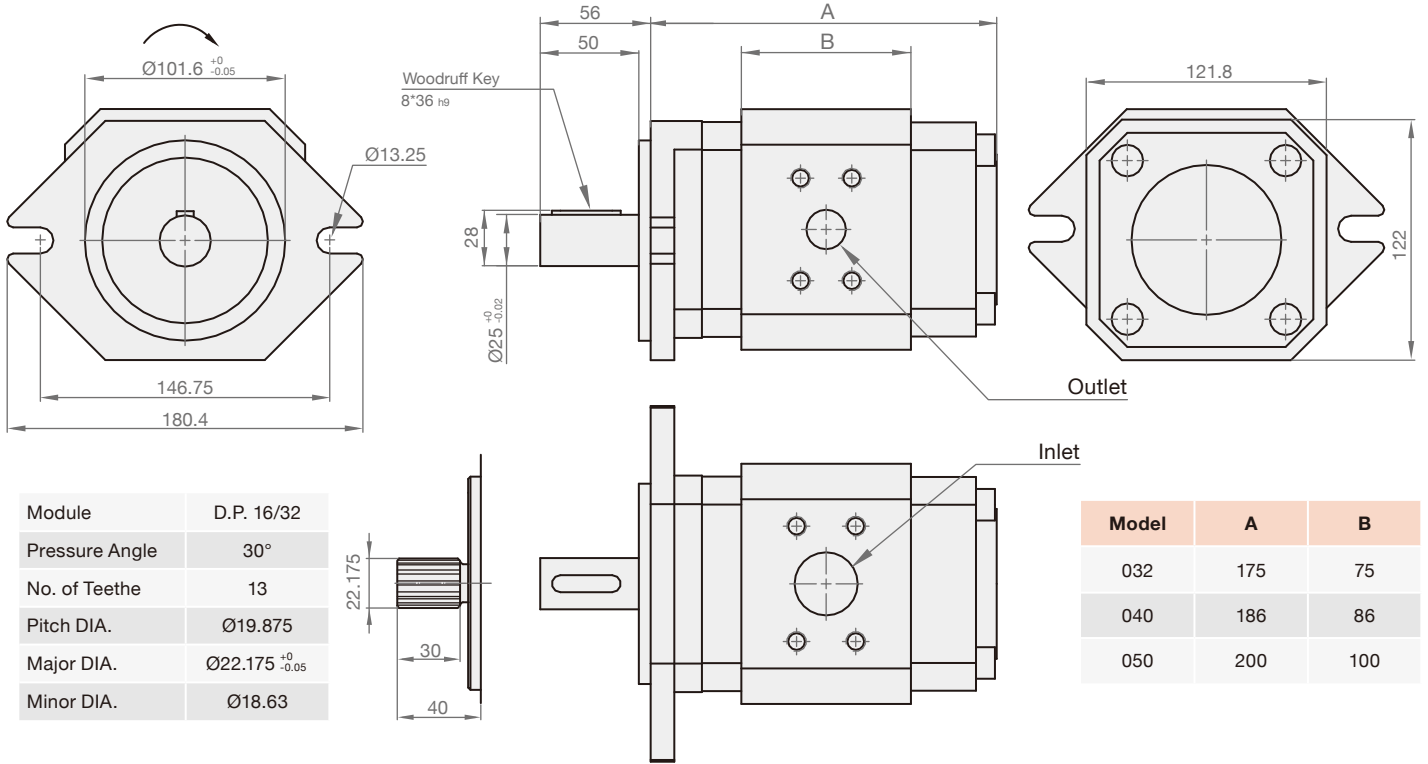
► Driving Power



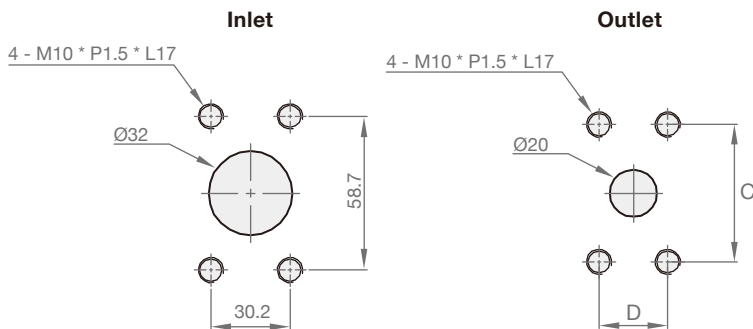
► Sound Level Pressure in Air



* Measurement conditions: Speed 1450 min⁻¹, viscosity 46mm²/s, operating temperature 40°C
 Measured in silent room in accordance with DIN 45 635 sheet 26, microphone distance: 1m axial



► Inlet and Outlet Size



Model	Outlet	
	C	D
032	47.5	22
040	52.4	26.2
050	52.4	26.2

Steed Machinery Co., Ltd.

No. 28, Ruiguang St., South Dist.,
Taichung City 402006,
Taiwan
Tel : +886-4-2285-4867
Fax : +886-4-2285-2848
Email : info@steedmachinery.com.tw

more information
www.steedmachinery.com.tw

